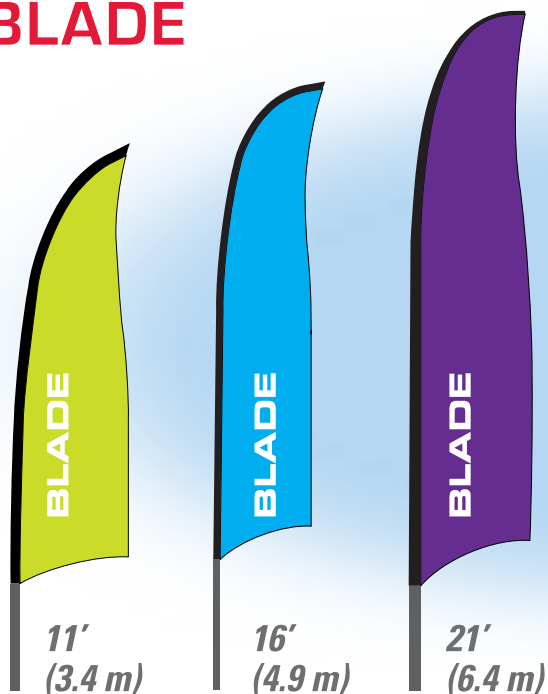




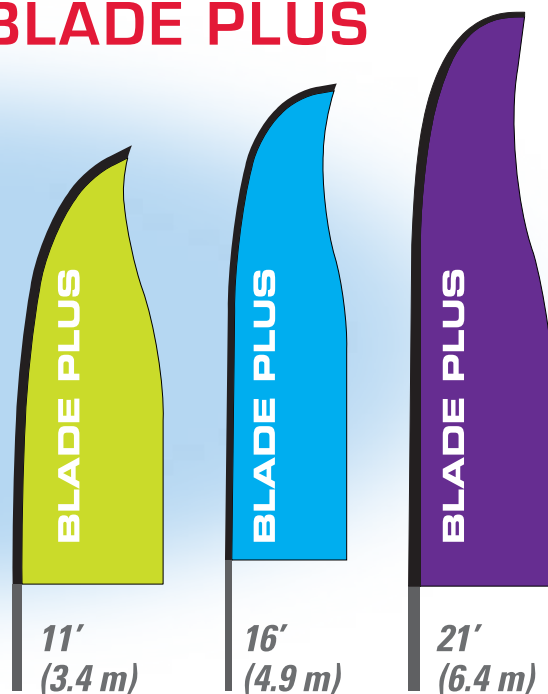
ProFlag™ Blade and Blade Plus

The new line of E-Z UP® Professional Flags are available in multiple styles and sizes to enhance your marketing appeal. ProFlag™ products easily attach to your shelter or stand alone to bring your company graphics nearly anywhere!

BLADE



BLADE PLUS



FEATURES:

- ◇ Sets Up in Seconds!™
- ◇ 3 sizes – 11' [3.4 m], 16' [4.9 m] and 21' [6.4 m]
- ◇ Optional Tail Available
- ◇ Heavy-Duty Aluminum/Fiberglass, Piece-Together Flag Pole (For 11' & 16' Flags)
- ◇ Sturdy All Fiberglass, Piece – Together Flag Pole for 21' Flags
- ◇ Nylon Composite Fabric
- ◇ 16 Colors Available
- ◇ Super-Large Printable Area
- ◇ Professional Carry Bag for Compact Storage
- ◇ 1 - Year Warranty

ACCESSORIES:

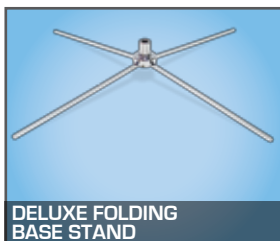
- ◇ Deluxe Ground Stake
- ◇ Deluxe Folding Base Stand
- ◇ Shelter Mount Bracket

CUSTOM GRAPHIC OPTIONS:

- ◇ Single - Sided Silk Screening
- ◇ Double - Sided Silk Screening
- ◇ Digital Mirror Image



Attach the Pro Flag™ directly to your shelter or stand alone on the ground.



DELUXE FOLDING
BASE STAND



SHELTER MOUNT BRACKET



DELUXE GROUND
STAKE KIT

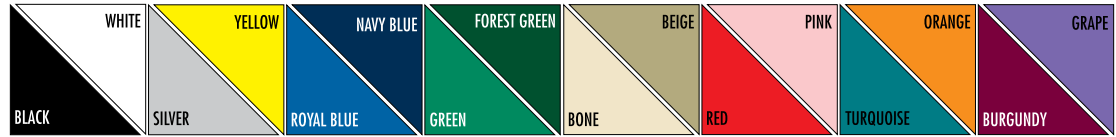


21' BLADE PLUS WITH
OPTIONAL TAIL

Authorized Dealer

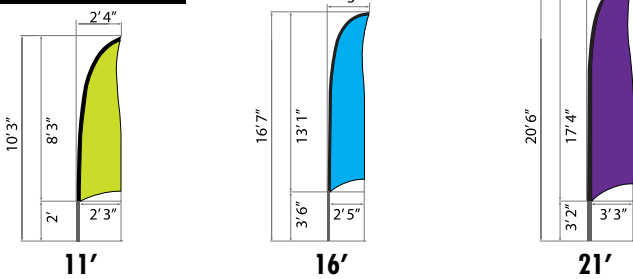


Blade and Blade Plus Fabric Colors:

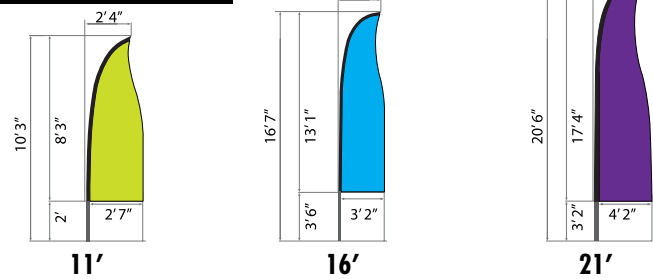


PRODUCT NAME	ProFlag™ Blade & Blade w/Tail			ProFlag™ Blade Plus & Blade Plus w/Tail		
	11'	16'	21'	11'	16'	21'
SIZES	11'	16'	21'	11'	16'	21'
POLE	Heavy-Duty Aluminum/Fiberglass Piece-Together Flag Pole		Sturdy, All Fiberglass Piece-Together Flag Pole	Heavy-Duty Aluminum/Fiberglass Piece-Together Flag Pole		Sturdy, All Fiberglass Piece-Together Flag Pole
FABRIC	16 Colors • Nylon Composite Fabric					
PRODUCT INCLUDES	Pole, Flag Fabric, Carry / Storage Bag and Deluxe Ground Stake or Deluxe Folding Base Stand					
WARRANTY	1 Year					
ITEM WEIGHT	1 lb.	1 lb. — 1.5 lbs.	2 lbs. — 2.5 lbs.	1.5 lbs.	1.5 lbs. — 2 lbs.	2.5 lbs. — 3 lbs.
SHIPPING BOX SIZE	60" L x 4" W x 4" H	60" L x 4" W x 4" H	60" L x 4" W x 4" H	60" L x 4" W x 4" H	60" L x 4" W x 4" H	60" L x 4" W x 4" H
SHIPPING WT. W/STAKE	7 lbs. — 8 lbs.	9 lbs. — 11 lbs.	10 lbs. — 12 lbs.	8 lbs. — 9 lbs.	9 lbs. — 11 lbs.	10 lbs. — 12 lbs.
SHIPPING WT. W/STAND	11 lbs. — 12 lbs.	13 lbs. — 15 lbs.	16 lbs. — 18 lbs.	12 lbs. — 13 lbs.	13 lbs. — 15 lbs.	16 lbs. — 18 lbs.

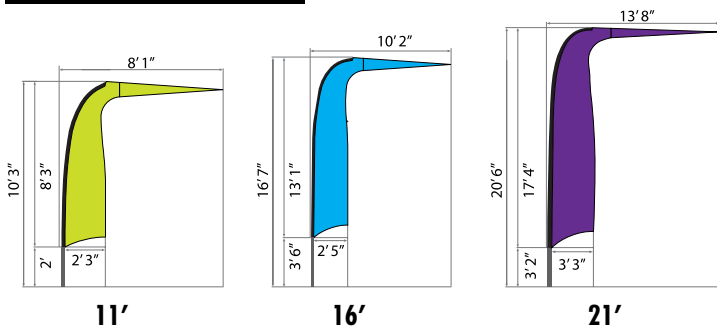
ProFlag™ BLADE



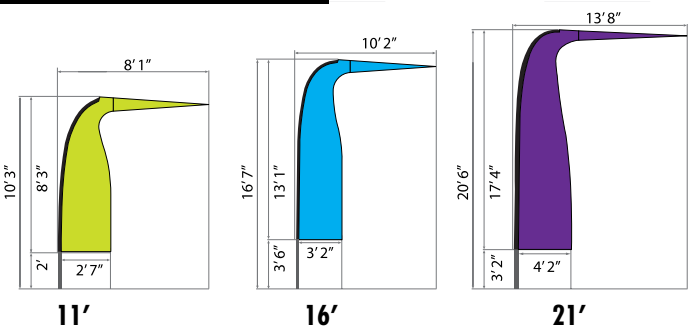
ProFlag™ BLADE PLUS



ProFlag™ BLADE with TAIL



ProFlag™ BLADE PLUS with TAIL



ACCESSORIES

PRODUCT NAME	GROUND STAKE	FOLDING BASE STAND	SHELTER MOUNT BRACKET	WEIGHT BAGS
SIZE	22" — 42"	32" x 32" — 48" x 48"	N/A	2 - Pack
ITEM WEIGHT	2 lbs. — 5 lbs.	6 lbs. — 9 lbs.	1 lb.	3 lbs.
SHIPPING BOX SIZE	60" L x 4" W x 4" H	60" L x 4" W x 4" H	60" L x 4" W x 4" H	60" L x 4" W x 4" H
SHIPPING WEIGHT	3 lbs. — 6 lbs.	7 lbs. — 10 lbs.	1 lb.	3.5 lbs.

**Ask About Our Other E-Z UP®
Instant Products...We Make Life E-Z™!**